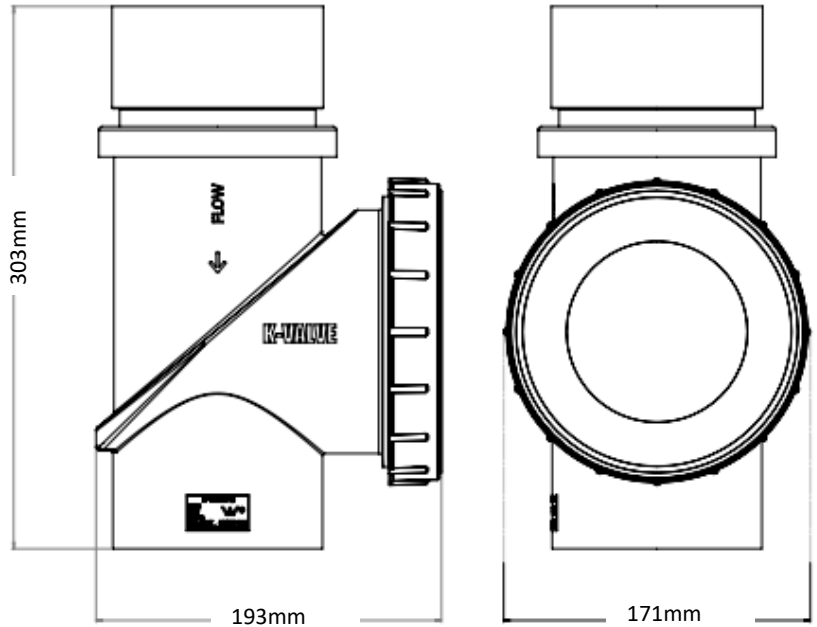


## K-VALVE EXPANSION INSPECTION TEST OPENING



### GENERAL INFORMATION:

### TECHNICAL INFORMATION:

➤ CONNECTION TYPE	F&F
➤ DIMENSION SIZE	100mm
➤ INSTALLATION AREA	ABOVE GROUND
➤ JOINING APPLICATION	-PVC PRIMING FLUID, CLEAR OR RED -SOLVENT CEMENT TYPE N, CLEAR OR BLUE

✓ PIPE APPLICATION	DWV
✓ PRODUCT MATERIAL	U-PVC
✓ PRODUCT COLOUR	GREY
✓ PRODUCT CODE	KVE-100
✓ PRODUCT STANDARD	AS/NZS 1260 CERTIFIED
✓ PRODUCT APPROVALS	WaterMark CERTIFICATION
**Always use a licensed plumber**	

PRODUCT CODE	SIZE	DESCRIPTION	QTY/ BOX
KVE-100	100mm	F&F	8